



SPRAYBALLS - ROTARY

MODEL

Sprayballs Rotary

PRINCIPLE

The cleaning ball rotates on teflon bushes, dispersing the CIP (cleaning in place) liquid equally and evenly in all directions.

APPLICATION

The rotary sprayball can be used in different size and shape tanks.

FEATURES

- Grade 304L and 316L stainless steel
- Full range of spares available

OPTIONS

Available in grade 304L and 316L stainless steel.

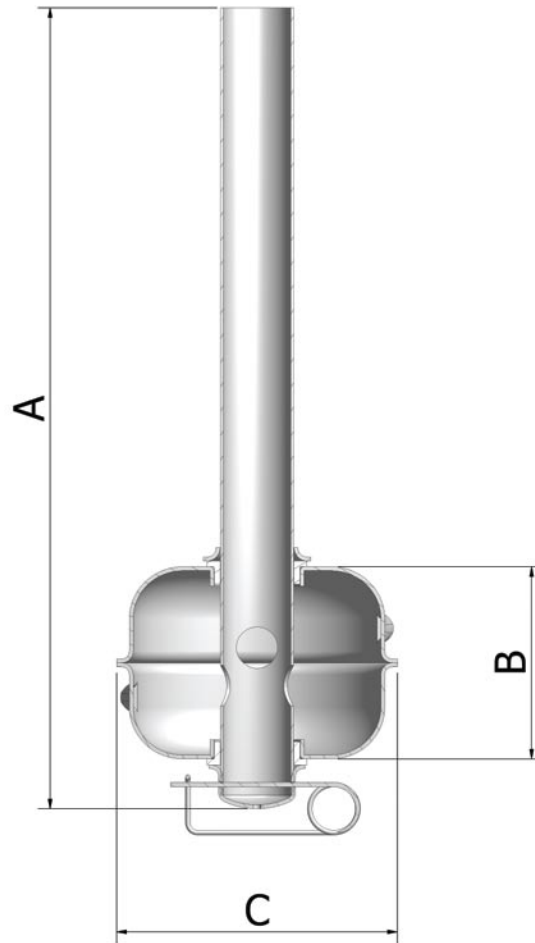
Hole variations:

1. 2-hole
2. 4-hole





SPRAYBALLS - ROTARY



DIMENSIONS

MODEL	A	B	C	D	NUMBER OF HOLES
518-4-4	438mm	100mm	146mm	38.1mm	4
518-4-6	438mm	100mm	146mm	38.1mm	2

Contact us on +27 11 674 1300/3 for more information.

The information contained in this brochure is for guidance only. BMC Engineering reserves the right to modify any material or feature without advance notice. For further information please consult our web site.

www.bmceng.co.za

 **BMC Engineering**



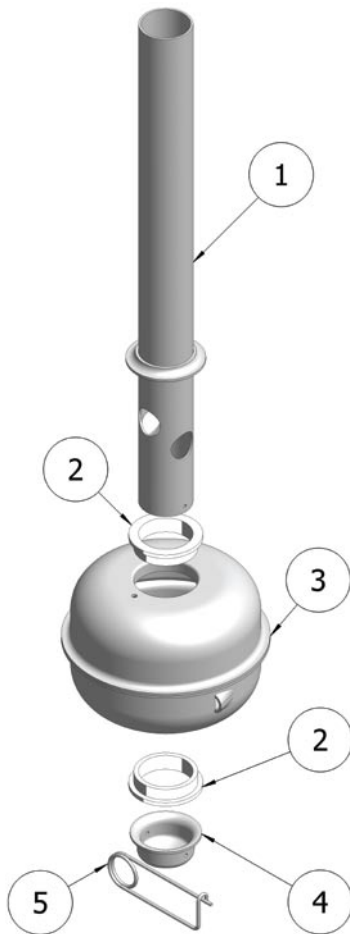
SPRAYBALLS - ROTARY



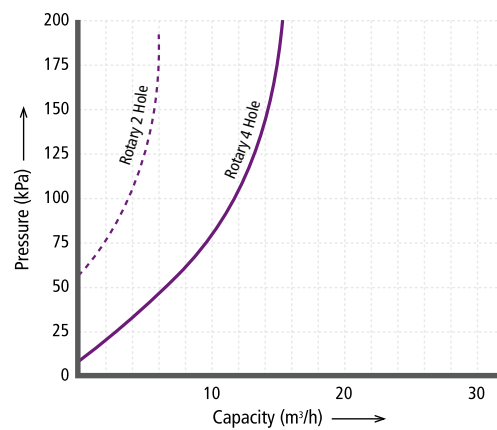
PARTS

ITEM NUMBER	DESCRIPTION	QUANTITY PER SPRAYBALL
1	Stem	1
2	Teflon Bushes	2
3	Rotating Ball	1
4	Retaining Cup	1
5	Retaining Pin	1

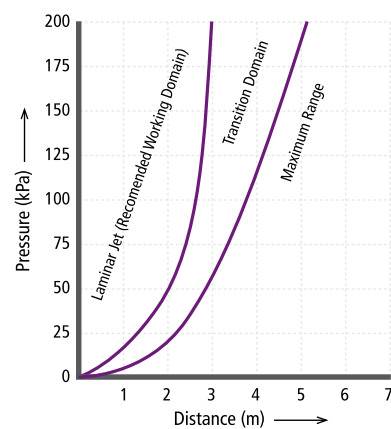
Please use the part numbers for spares identification.



PRESSURE DROP / CAPACITY FOR ROTATING BALLS



CLEANING RANGE GRAPH FOR ROTATING BALLS



Contact us on +27 11 674 1300/3 for more information.

The information contained in this brochure is for guidance only. BMC Engineering reserves the right to modify any material or feature without advance notice. For further information please consult our web site.

www.bmceng.co.za

 **BMC Engineering**