

VENTS - DRIP RESISTANT

MODEL

Vents – Drip Resistant

PRINCIPLE

It is designed to allow the tank to vent during emptying and filling. The vent reduces the possibility of CIP liquid leaking during the CIP process.

APPLICATION

The vent is mounted on the top dome or cone of stainless steel tanks. The removable top enables manual cleaning of the vent. The cap has an insect screen attached to its top.

FEATURES

- Top-entry
- Grade 304L and 316L stainless steel
- Removable top
- Insect screen manufactured from perforated plate
- Drip resistant design

OPTIONS

Available in grade 304L and 316L stainless steel. Various diameters available to suit different size tanks.

NOTE

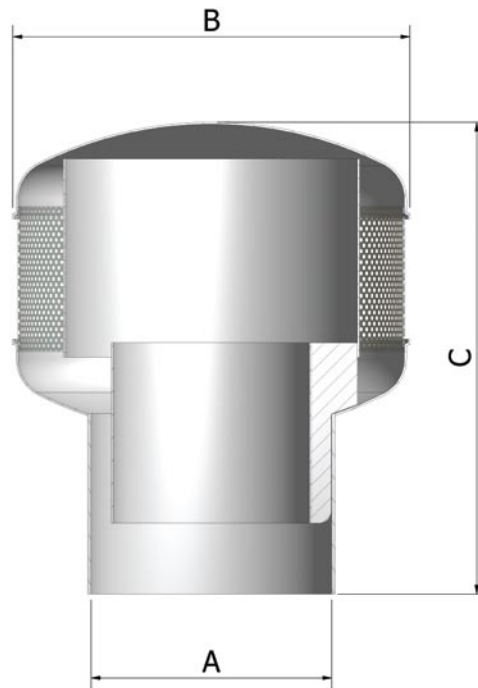
For the grade 316L stainless steel option, the removable top and perforated screen is supplied in grade 304L stainless steel.

The tank size guide is a reference that assumes the manhole is open during the CIP process.





VENTS - DRIP RESISTANT



DIMENSIONS

SIZE	MODEL	A	B	C	VENTING AREA	TANK SIZE GUIDE (With Manhole Open During CIP Process)
50mm	506-21	42	104	232	1960mm ²	1000LT
100mm	506-0	100	153	333	7800mm ²	5000LT
150mm	506-1	150	219	359	17670mm ²	12000LT
200mm	506-2	200	323	461	31416mm ²	25000LT
300mm	506-3	300	515	600	70686mm ²	<60000LT

All measurements in millimeters (mm)

Contact us on +27 11 674 1300/3 for more information.

The information contained in this brochure is for guidance only. BMC Engineering reserves the right to modify any material or feature without advance notice. For further information please consult our web site.

www.bmceng.co.za

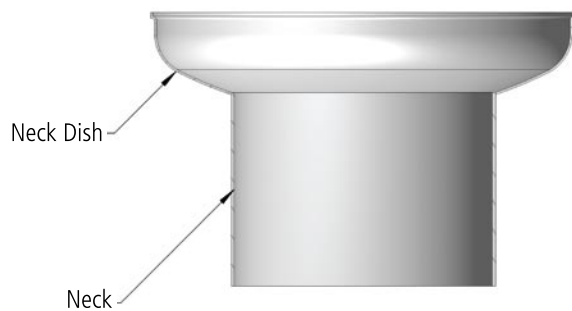
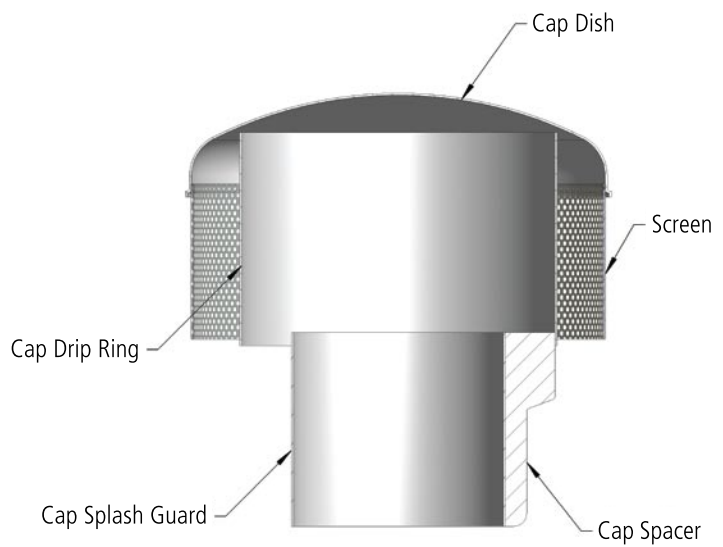
 **BMC Engineering**



VENTS - DRIP RESISTANT



PARTS



Contact us on +27 11 674 1300/3 for more information.

The information contained in this brochure is for guidance only. BMC Engineering reserves the right to modify any material or feature without advance notice. For further information please consult our web site.

www.bmceng.co.za

 **BMC Engineering**