



ADJUSTABLE FEET

MODEL

Adjustable Foot with a Dimpled Base Plate

PRINCIPLE

This adjustable foot levels equipment on uneven floors.

APPLICATION

The adjustable foot has a bush that can be welded to a leg or frame. The bush accepts a threaded bolt that can be adjusted up or down, as desired. The dimpled foot plate locates and secures the threaded bolt. The bolt has two flat sides which enable the levelling process.

FEATURES

- Grade 304L stainless steel
- Dimple base plate
- Adjustable foot with bush
- Bush that accepts threaded bolt
- Bolt with two flat sides

OPTIONS

Available in two sizes depending on the carrying load required:

1. 1" BSP foot with a maximum load of 9000kg per foot (part number 504-1)
2. ¾" BSP foot with a maximum load of 6000kg per foot (part number 504-2)



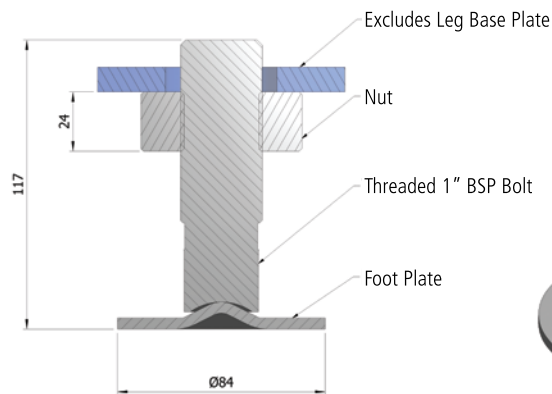


ADJUSTABLE FEET

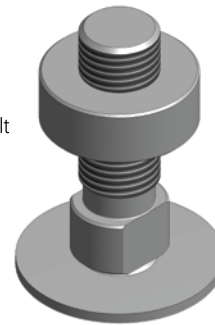


DIMENSIONS

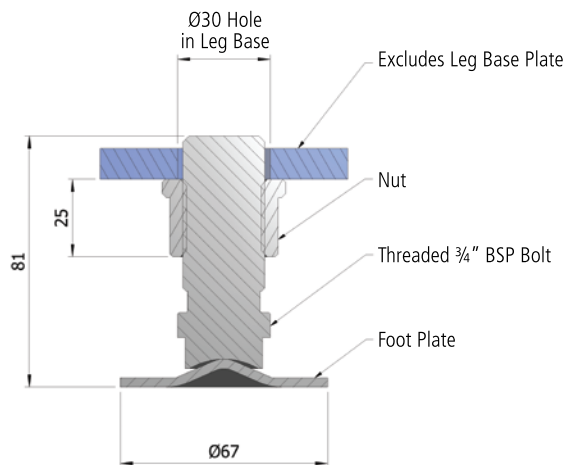
1" ADJUSTABLE FOOT



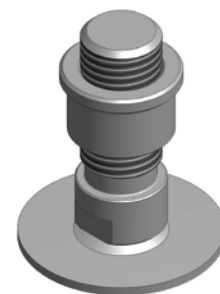
Maximum Load = 9 000kg
Maximum Adjustment = 60mm



3/4" ADJUSTABLE FOOT



Maximum Load = 6 000kg
Maximum Adjustment = 32mm



Contact us on +27 11 674 1300/3 for more information.

The information contained in this brochure is for guidance only. BMC Engineering reserves the right to modify any material or feature without advance notice. For further information please consult our web site.

www.bmceng.co.za

 **BMC Engineering**