



# BMC Engineering

## ANGLE FILTERS

### MODEL

Angle Filters with Removable, Perforated Filter Insert

### PRINCIPLE

The angle filter integrates into a piping system to trap unwanted material.

### APPLICATION

The removable filter insert is made from perforated plate. A quick-release clamp allows efficient and effective cleaning. The filter is housed in a tubular casing.

### FEATURES

- Quick-release clamp with handle
- Removable, perforated filter insert
- Grade 304L stainless steel
- Inlet and outlet size variations

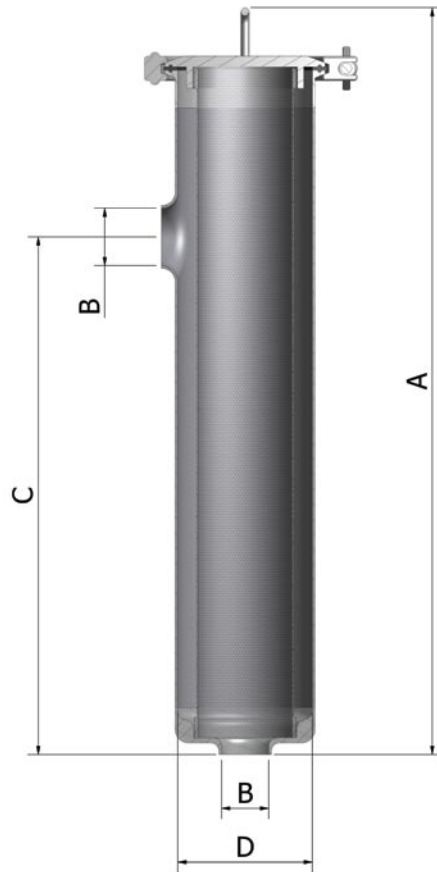
### OPTIONS

1. Inlet and outlet available in: 1 ½", 2", 2 ½" and 3" sizes
2. Filter insert available in: 2mm and 3mm Ø perforated openings
3. Other perforated sizes available on request





## ANGLE FILTERS



### DIMENSIONS

MODEL	A	B	C	D
517-38	555mm	38.1mm	385mm	104mm
517-51	555mm	50.8mm	385mm	104mm
517-63	555mm	63.5mm	385mm	104mm
517-76	555mm	76.2mm	385mm	104mm

All measurements in milimeters (mm)

Contact us on +27 11 674 1300/3 for more information.

The information contained in this brochure is for guidance only. BMC Engineering reserves the right to modify any material or feature without advance notice. For further information please consult our web site.

[www.bmceng.co.za](http://www.bmceng.co.za)

 **BMC Engineering**