



BMC Engineering

SAMPLER

MODEL

Sampler – Seven-Day Type

PRINCIPLE

The seven-day sampler allows for sample taking through a syringe without risk of contaminating the product.

APPLICATION

A replaceable food-quality rubber insert holds the syringe when the sample is taken.

A plastic cap with seven holes, representing each day of the week, guides the operator.

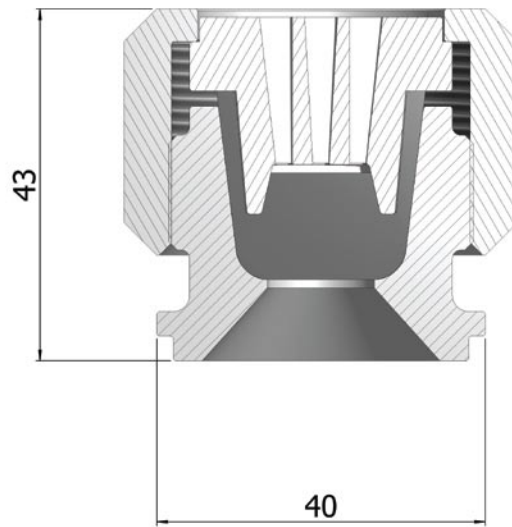




SAMPLER

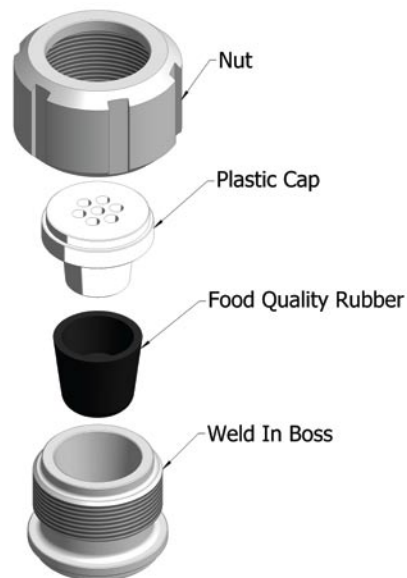


DIMENSIONS



All measurements in millimeters (mm)

PARTS



Contact us on +27 11 674 1300/3 for more information.

The information contained in this brochure is for guidance only. BMC Engineering reserves the right to modify any material or feature without advance notice. For further information please consult our web site.

www.bmceng.co.za

 **BMC Engineering**