



BMC Engineering

SIGHTGLASSES

MODEL

Sightglasses Housed in a Hygienic Dairy Union

PRINCIPLE

The sightglass allows the contents of a tank to be viewed without opening the manhole. This limits chances of contamination.

A second sightglass with a light fitting provides illumination for viewing.

APPLICATION

The glass is housed in a standard NW-type hygienic dairy union.

The glass is made from toughened soda lime.

FEATURES

- Grade 304L and 316L stainless steel
- Toughened soda lime glass
- Hygienic dairy union housing
- Specially fitted sealing gasket
- Two neck diameter variations
- A 12V globe light fitting
- Gasket material variations: Food-Quality Rubber, EPDM, Silicon
- Full range of spares available

OPTIONS

Available in grade 304L and 316L stainless steel.

Two neck diameter options: 80mm and 100mm.

The gaskets are available in the following materials:

1. Food-Quality Rubber (ex-stock)
2. EPDM (ex-stock)
3. Silicone (special request)
4. Viton (special request)

On special request we also offer a larger :

- 150mm diameter sightglass, housed in a dairy union
- 150mm diameter flush mounted flange type

NOTE

For the grade 316L stainless steel option, the nut is supplied in grade 304L stainless steel as it doesn't make contact with the product.

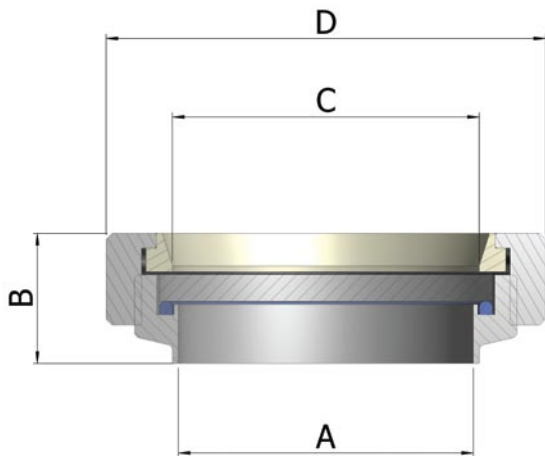
SPECIFICATIONS

- The Food-Quality Rubber gasket is rated to a temperature of 70 degrees C
- The EPDM gasket is rated to a temperature of 110 degrees C
- The Silicone gasket is rated to a temperature of 180 degrees C





SIGHTGLASSES



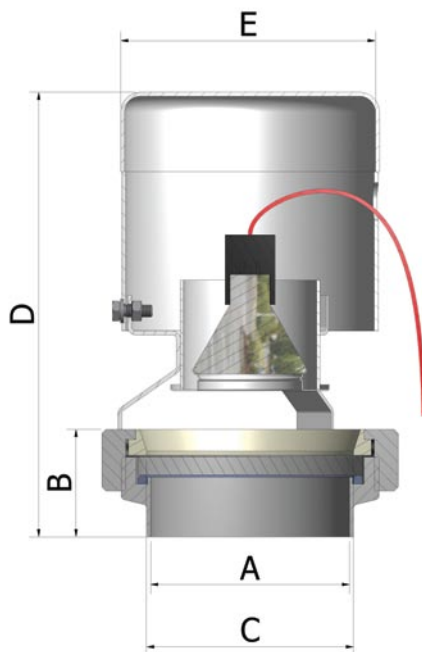
DIMENSIONS

MODEL	A	B	C	D	E	F	MWP	MWV
502-1	81	44	85	NA	NA	NA	300kPa	100kPa
502-3	100	44	104	NA	NA	NA	300kPa	100kPa

MWP = Maximum Working Pressure @ temperature to suit the gasket material

MWV = Maximum Working Vacuum @ temperature to suit the gasket material

All measurements in millimeters (mm)



DIMENSIONS

MODEL	A	B	C	D	E	F	MWP	MWV
502-23	81	44	85	224	128	127	300kPa	100kPa
502-21	100	44	104	224	128	149	300kPa	100kPa

MWP = Maximum Working Pressure @ temperature to suit the gasket material

MWV = Maximum Working Vacuum @ temperature to suit the gasket material

All measurements in millimeters (mm)

Contact us on +27 11 674 1300/3 for more information.

The information contained in this brochure is for guidance only. BMC Engineering reserves the right to modify any material or feature without advance notice. For further information please consult our web site.

www.bmceng.co.za

 **BMC Engineering**